

Marki FLP-0750
P. M. Harrington, K. W. Murch
October 25, 2017

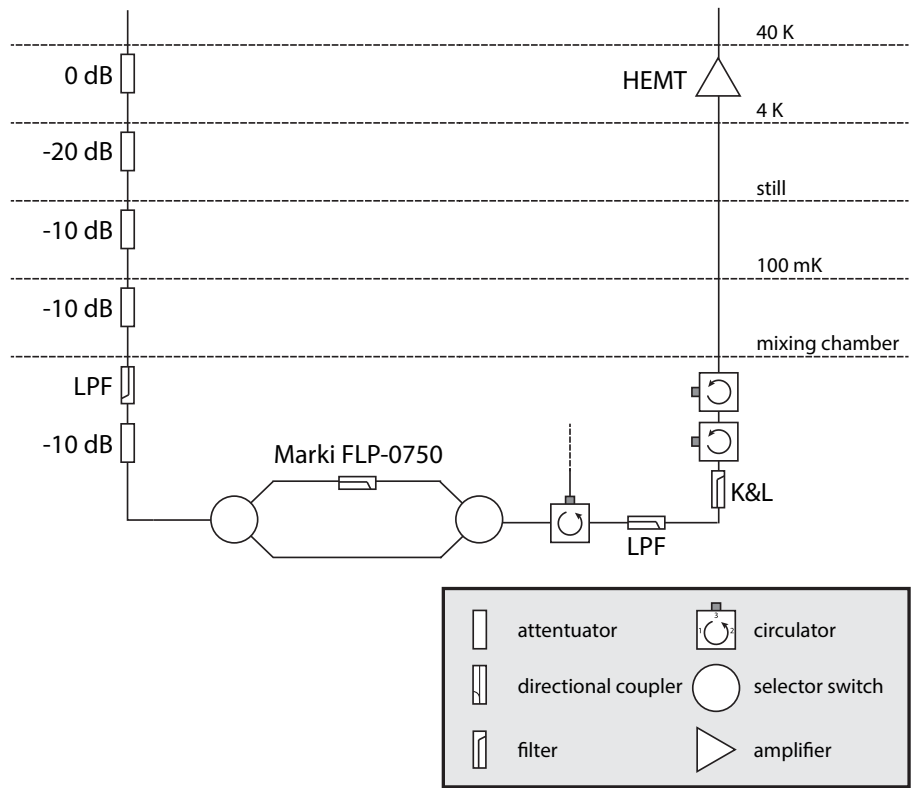


Figure 1: Schematic of the cryogenic electronics for testing the Marki filter. The selector switch (Radiall 573423600) allowed for selection between the filter and a 'thru' transmission line.

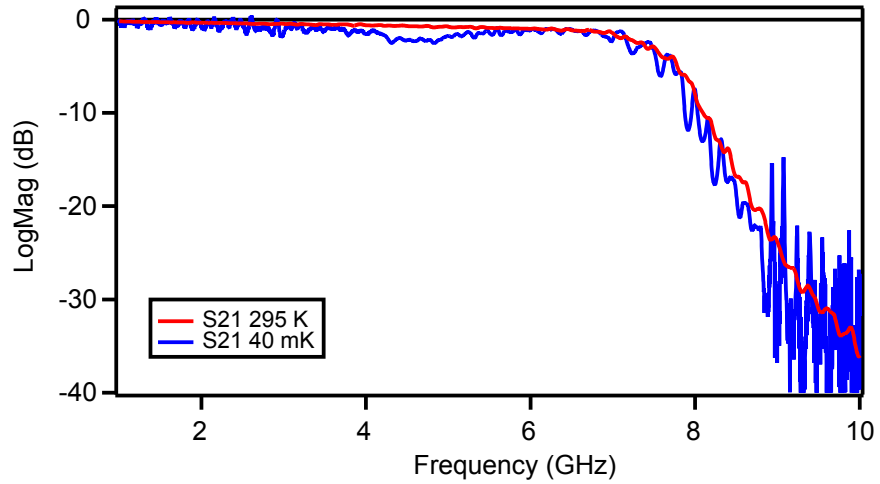


Figure 2: S_{21} measurements of the filter at room temperature and at 50 mK. Line loss was calibrated out of these measurements.

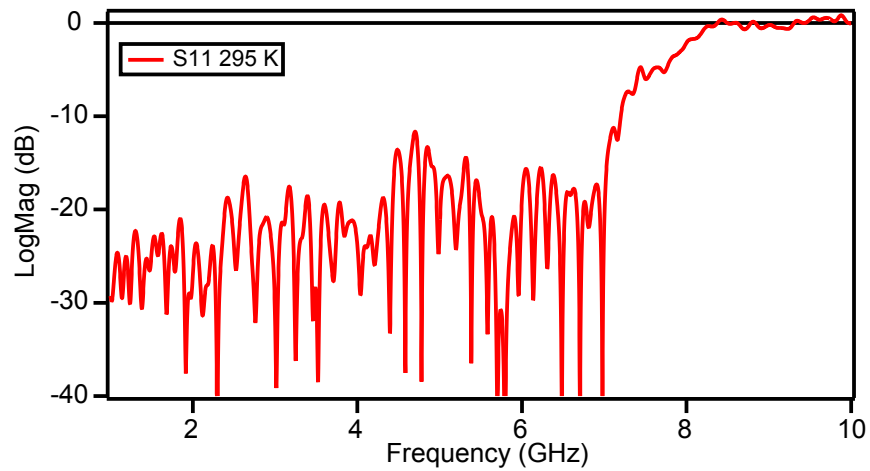


Figure 3: S_{11} measurement of the filter at room temperature.