

MMIC 2-18GHz 90° Splitter / Combiner

MQS-0218SM

1 Device Overview

1.1 General Description

The MQS-0218SM is a MMIC 2GHz – 18GHz 90° splitter/combiner. Passive GaAs MMIC technology allows production of smaller constructions that replace larger form factor circuit board constructions. Tight fabrication tolerances allow for less unit to unit variation than traditional splitter/combiner technologies. The MQS-0218SM is available as a 4 x 4 mm QFN package. Evaluation boards are also available. Low variation allows for accurate simulations using the provided S3P file taken from measured production units. Applications include single sideband upconverters, image rejection downconverters, IQ modulators, balanced amplifiers, and microwave correlators. The MQS-0218SM is not recommended for applications involving reflected signals.

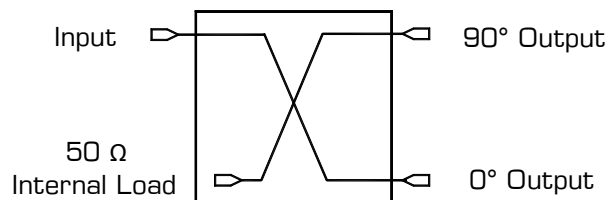


QFN

1.2 Features

- Designed for S to Ku-band applications
- High amplitude and phase balance
- High isolation
- Low insertion loss
- On-chip 50Ω load termination
- S3P data [MQS-0218SM.zip](#),

1.3 Functional Block Diagram



1.4 Part Ordering Options¹

Part Number	Description	Package	Green Status	Product Lifecycle	Export Classification
MQS-0218SM	4 x 4 mm QFN	SM	RoHS	Active	EAR99
EVAL-MQS-0218	Connectorized Evaluation Fixture	Eval	RoHS	Active	EAR99

¹ Refer to our [website](#) for a list of definitions for terminology presented in this table.

Table of Contents

1	Device Overview	1	3.1	Absolute Maximum Ratings.....	4
1.1	General Description	1	3.2	Package Information.....	4
1.2	Features	1	3.3	Electrical Specifications	4
1.3	Functional Block Diagram	1	3.4	Typical Performance Plots	5
1.4	Part Ordering Options.....	1	4	Application Information	6
2	Port Configurations and Functions	3	5	Mechanical Data.....	9
2.1	Port Diagram.....	3	5.1	SM Outline Drawing.....	9
2.2	Port Functions	3	5.2	SM Package Footprint	9
3	Specifications	4	5.3	Evaluation Board Outline	10

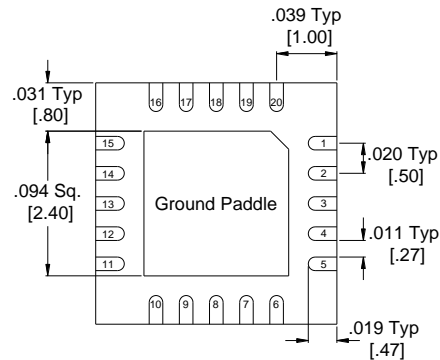
Revision History

Revision Code	Revision Date	Comment
-	June 2020	Initial Datasheet Release

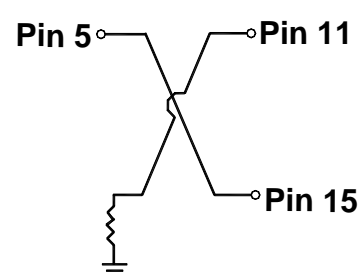
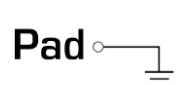
2 Port Configurations and Functions

2.1 Port Diagram

A bottom-up view of the MQS-0218SM's SM package outline drawing is shown below. Device is not recommended for applications requiring reflected signals.



2.2 Port Functions

Port	Function	Description	Equivalent Circuit
Pin 5	Input	Pin 5 is DC short to pin 15 and open to ground.	
Pin 11	90° Output	Pin 11 is DC connected to a 50 Ω load.	
Pin 15	0° Output	Pin 15 is DC short to port 5 and open to ground.	
Pad	Ground	SM package ground path is provided through the ground paddle.	

3 Specifications

3.1 Absolute Maximum Ratings

The Absolute Maximum Ratings indicate limits beyond which damage may occur to the device. If these limits are exceeded, the device may be inoperable or have a reduced lifetime.

Parameter	Maximum Rating	Units
DC Current at any port	TBD	mA
Operating Temperature	-55 to +100	°C
Storage Temperature	-65 to +125	°C
RF Power Handling	10	W

3.2 Package Information

Parameter	Details	Rating
ESD	Human Body Model (HBM), per MIL-STD-750, Method 1020	N/A

3.3 Electrical Specifications²

The electrical specifications apply at $T_A=+25^{\circ}\text{C}$ in a 50Ω system.

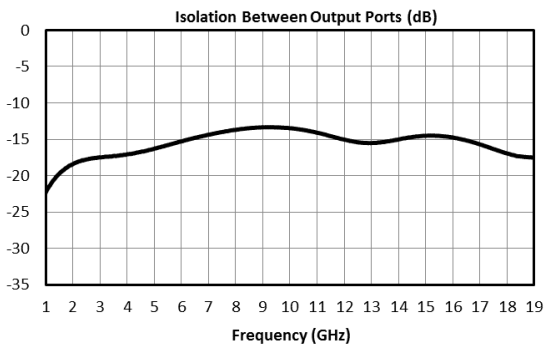
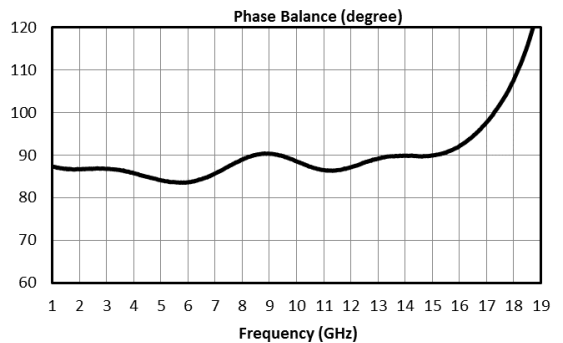
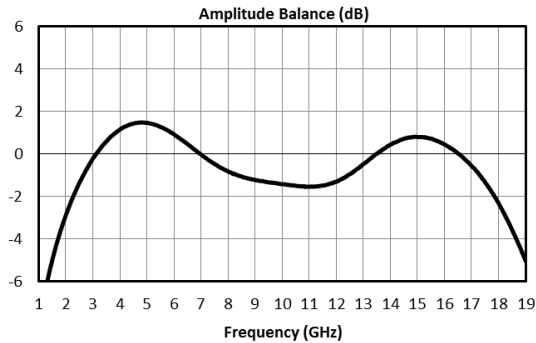
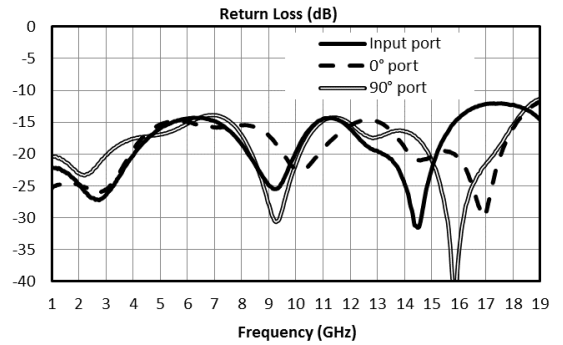
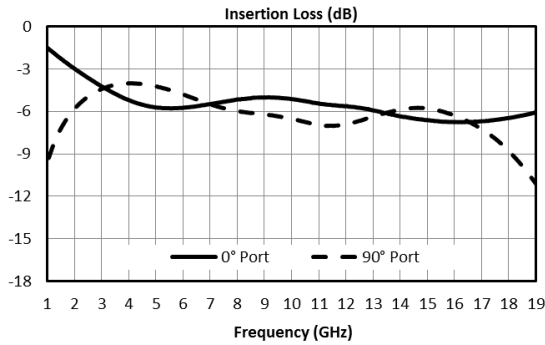
Min and Max limits are guaranteed at $T_A=+25^{\circ}\text{C}$

Parameter	Frequency (GHz)	Min	Typ.	Max	Units
Coupling	2-18		3		dB
Nominal Phase Shift			90		Degrees
Amplitude Balance	2-18		1	5	dB
Phase Balance	2-17		3	12	Degrees
	17-18		6		
Excess Through Line Insertion Loss ³	2-18		4		dB
Isolation		10	15		dB
VSWR			1.25		
Impedance			50		Ω

² All measured data is taken from the eval board without de-embedding of the connectors and traces.

³ Excess Insertion Loss = (Input Port to Common Port Insertion Loss) – 3 dB.

3.4 Typical Performance Plots²⁻⁴



² All measured data is taken from the eval board without de-embedding of the connectors and traces.

⁴ All measurements taken in a 50Ω environment. On-chip load was used when taking measurements.

4 Application Information

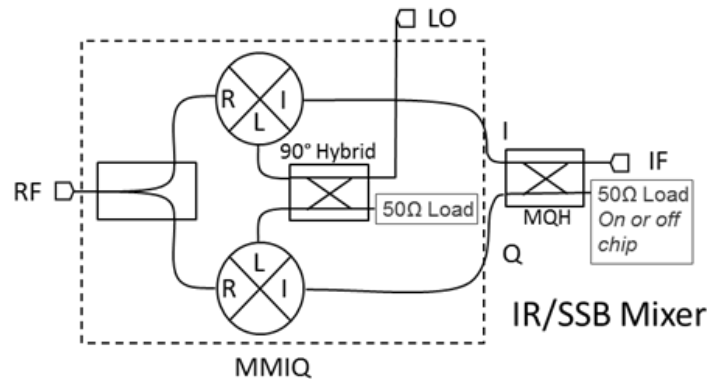
Quadrature signal generation is useful for many applications in analog signal processing. Marki MQH (MMIC quadrature hybrids) and MQS (MMIC 90° Splitter/Combiners) offer this functionality in a small form factor with high repeatability. Below are applications and how they can be realized with the MQH and MQS product lines.

Quadrature Hybrids vs 90° Splitter/Combiners

Some products are 'true' quadrature hybrids, while others are 90° Splitter/Combiners. A quadrature hybrid is symmetric about all four ports, meaning that in a splitting application any port can be used as an input, with the isolated and output ports following from this selection. Likewise, for a combining application, any port can be used as an output.

A 90° Splitter/Combiner is not symmetric. When splitting, only ports 1 and 2 can be used as an input. If ports 3 or 4 were used, there would be significant phase walk-off between the output ports. As a combiner, only ports 1 and 2 are suitable as output ports. The phase walk-off introduced when using ports 3 or 4 as an output means that reflected signals recombine and cancel poorly inside a 90° Splitter/Combiner

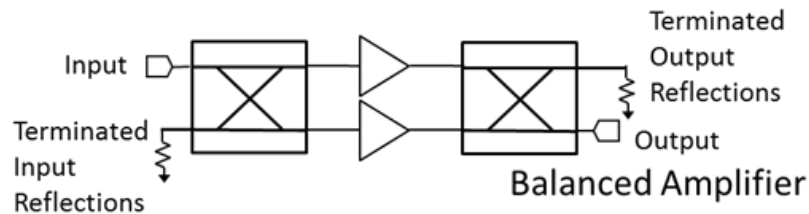
Single Sideband and Image Reject Mixers



The primary application for the MQH and MQS series is as IF or LO quadrature signal splitter/combiners. They can be used in combination with the MMIQ series of IQ mixers to create broadband single sideband and image reject mixers. Either 90° Splitter/Combiners or quadrature hybrids can be used as the IF hybrid, but if a 90° Splitter/Combiner is used only one sideband (or image) is accessible, whereas if a quadrature hybrid is used then both sidebands are accessible.

If a 90° Splitter/Combiner is used for a single sideband upconverter or image reject mixer, port 1 should be used as the IF input/output and ports 2 and 3 should be connected to the I and Q ports.

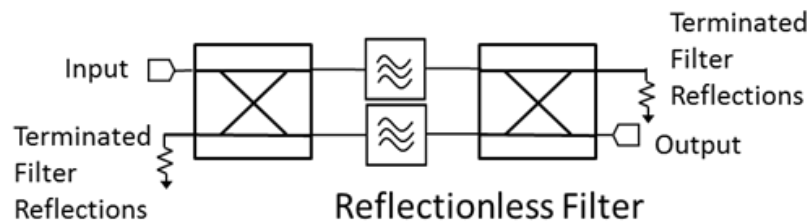
Balanced Amplifiers



In a balanced amplifier, the poor return loss of an amplifier is compensated for with a quadrature hybrid. In this application, the reflections from the input or output are collected at the isolated port of the quadrature hybrid and terminated.

Since a 90° Splitter/Combiner is not completely symmetric, reflected signals will not terminate as well as with a quadrature hybrid. An MQH option is recommended for this application. If a 90° Splitter/Combiner is used for a single sideband upconverter or image reject mixer, port 1 should be used as the IF input/output and ports 2 and 3 should be connected to the I and Q ports. Testing/simulation is recommended when considering if a 90° Splitter/Combiner is suitable.

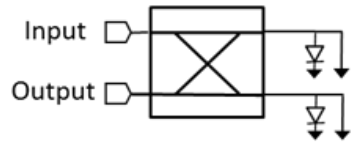
Reflectionless Filter



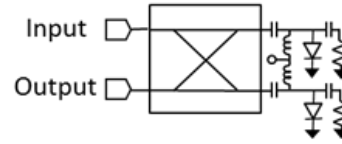
Similar to a balanced amplifier, a reflectionless filter will terminate reflections that are out of band for a filter (but in band for the quadrature hybrid) at the isolated port.

Since a 90° Splitter/Combiner is not completely symmetric, reflected signals will not terminate as well as with a quadrature hybrid. An MQH option is recommended for this application. If a 90° Splitter/Combiner is used for a single sideband upconverter or image reject mixer, port 1 should be used as the IF input/output and ports 2 and 3 should be connected to the I and Q ports. Testing/simulation is recommended when considering if a 90° Splitter/Combiner is suitable.

Reflective Applications



Reflective Phase Shifter



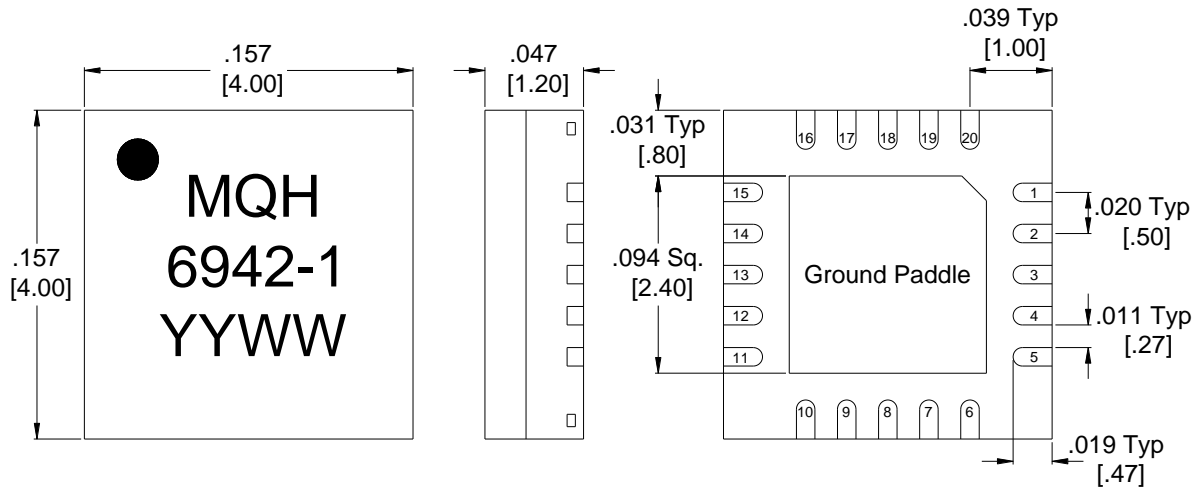
Reflective Attenuator

Unlike in the previous applications, reflective applications only work well with a quadrature hybrid (not a 90° Splitter/Combiner). In these applications a signal is reflected off of two identical structures (typically a PIN diode) and the output signal is collected at the isolated port. In this case the desired signal is deliberately reflected.

Since a 90° Splitter/Combiner is not completely symmetric, you will have poor results if you use these for reflective applications.

5 Mechanical Data

5.1 SM Outline Drawing

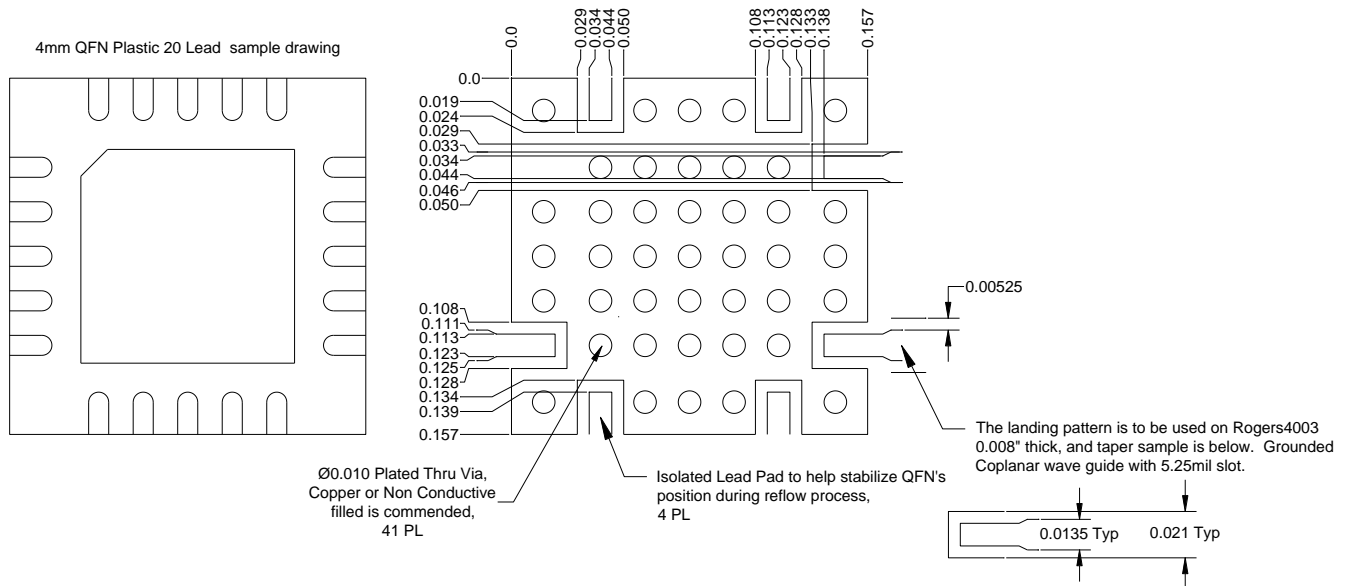


Pad #	Function
1	Load
2	N/C
3	N/C
4	N/C
5	In
6	N/C
7	N/C
8	N/C
9	N/C
10	N/C
11	90° O/P
12	N/C
13	N/C
14	N/C
15	0° O/P
16	N/C
17	N/C
18	N/C
19	N/C
20	N/C

Notes:

1. Substrate material is LCP.
2. I/O Leads and Die Paddle are 0.05 microns Au over 0.02 microns Pd over 0.5 micron Ni.
3. All unconnected pins should be connected to PCB RF ground.

5.2 SM Package Footprint

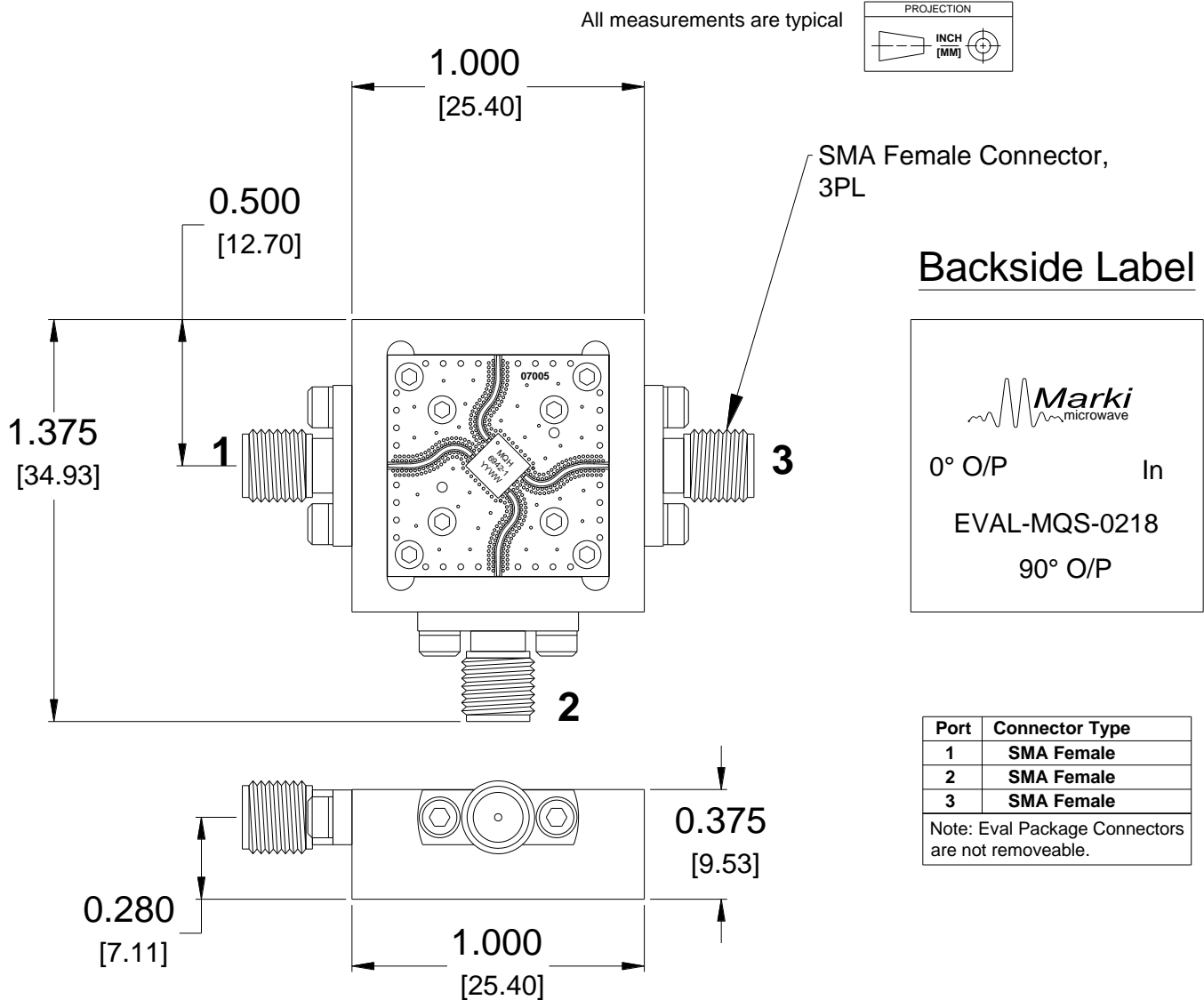


QFN-Package Surface-Mount Landing Pattern

[Click here for a DXF of the above layout.](#)

[Click here for leaded solder reflow.](#) [Click here for lead-free solder reflow.](#)

5.3 Evaluation Board Outline



Marki Microwave reserves the right to make changes to the product(s) or information contained herein without notice.
 Marki Microwave makes no warranty, representation, or guarantee regarding the suitability of its products for any particular purpose, nor does Marki Microwave assume any liability whatsoever arising out of the use or application of any product.