

## Elite 1.5-40 GHz Directional Coupler

CE10-1R540

### 1 Device Overview

#### 1.1 General Description

The CE10-1R540 is a next generation broadband 1.5GHz to 40GHz, 10dB directional coupler from the Marki Elite Series. Conductive paint is applied to all Elite Series products to reduce EMI/RFI leakage and susceptibility. The CE10-1R540 offers the best directivity, return loss, and coupling accuracy available on the market. Available as both a three port directional coupler and a four port bidirectional coupler, the CE10-1R540 is an exceptional choice for broadband return loss measurements, power leveling, and signal monitoring applications. Sophisticated neural network design techniques combined with deep circuit knowledge and triplate stripline construction allow the Marki Elite Series of Couplers to provide superior performance to all other directional couplers available.

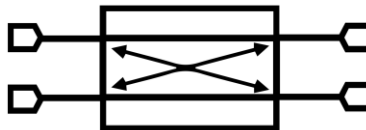


Module

#### 1.2 Features

- Broadband Performance
- Excellent Coupling Flatness
- High Directivity
- Low VSWR
- Conductive paint minimizes RF leakage
- [CE10-1R540.S4P](#)
- [Microwave Power Dividers & Couplers App Note](#)

#### 1.3 Functional Block Diagram



#### 1.4 Part Ordering Options<sup>1</sup>

Part Number	Description	Green Status	Product Lifecycle	Export Classification
CE10-1R540	Connectorized module; 2.92mm connector ports <sup>2</sup>	RoHS	Active	EAR99

<sup>1</sup> Refer to our [website](#) for a list of definitions for terminology presented in this table.

<sup>2</sup>Default configurations has 2.92mm female connectors on all ports. Consult factory for other connector options.

## Table of Contents

1	Device Overview .....	1	3.1	Absolute Maximum Ratings .....	4
1.1	General Description .....	1	3.2	Package Information .....	4
1.2	Features.....	1	3.3	Electrical Specifications.....	4
1.3	Functional Block Diagram.....	1	3.4	Typical Performance Plots.....	5
1.4	Part Ordering Options .....	1	3.4.1	Insertion Loss, Return Loss, Coupled Port Power, and Directivity ....	5
2	Port Configurations and Functions .....	3	3.4.2	Performance Over Temperature	6
2.1	Port Diagram .....	3	4	Mechanical Data .....	7
2.2	Port Functions .....	3	4.1	Connectorized Module Outline Drawing .....	7
3	Specifications .....	4			

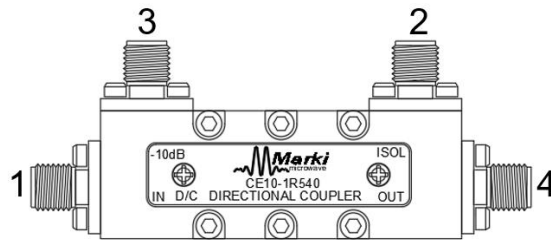
## Revision History

Revision Code	Revision Date	Comment
-	December 2021	Datasheet Initial Release

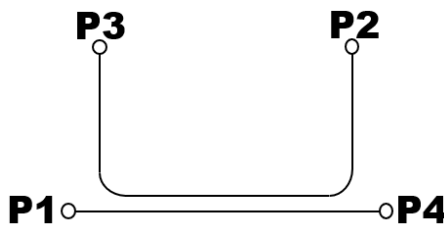
## 2 Port Configurations and Functions

### 2.1 Port Diagram

A side view of the CE10-1R540 package outline drawing is shown below. The CE10-1R540 has input and output ports given in Port Functions. The CE10-1R540 can be used in either the forward or reverse direction corresponding to configuration A and B respectively. For configuration A, input signal into port 1, use port 3 for coupled port, port 2 for isolated port, and port 4 for output port. For configuration B, input signal into port 4, use port 2 for coupled port, port 3 for isolated port, and port 1 for output port.



### 2.2 Port Functions

Port	Function	Description	Equivalent Circuit
Port 1	Input (Configuration A) Output (Configuration B)	The input port is DC short to the output port and open to the isolated and coupled ports.	
Port 2	Isolated (Configuration A) Coupled (Configuration B)	The isolated port is DC short to the coupled port and open to the input and output ports.	
Port 3	Coupled (Configuration A) Isolated (Configuration B)	The coupled port is DC short to the isolated port and open to the input and output ports.	
Port 4	Output (Configuration A) Input (Configuration B)	The output port is DC short to the input port and open to the isolated and coupled ports.	

## 3 Specifications

### 3.1 Absolute Maximum Ratings

The Absolute Maximum Ratings indicate limits beyond which damage may occur to the device. If these limits are exceeded, the device may be inoperable or have a reduced lifetime.

Parameter	Maximum Rating	Units
Power Handling, at any Port	N/A	W
Operating Temperature	-55 to +100	°C
Storage Temperature	-65 to +125	°C

### 3.2 Package Information

Parameter	Details	Rating
ESD	Human Body Model (HBM), per MIL-STD-750, Method 1020	N/A

### 3.3 Electrical Specifications

The electrical specifications apply for configuration A at  $T_A=+25^{\circ}\text{C}$  in a  $50\Omega$  system.

Min and Max limits are guaranteed at  $T_A=+25^{\circ}\text{C}$ .

Parameter	Frequency (GHz)	Min	Typ.	Max
Average Coupling Factor (dB)	1.5-40	9.5	10.0	10.5
Coupling Loss (dB) <sup>3</sup>	1.5-40	.41	.46	.52
Direct Line Insertion Loss (dB)	DC-40		.90	1.70
Excess Insertion Loss (dB) <sup>4</sup>	DC-40		.42	1.30
Amplitude Flatness (dB) <sup>5</sup>	1.5-40		±.25	±.50
Maximum Coupling Deviation (dB)	1.5-40		±.85	±1.70
Standard Directivity (dB)	1.5-40	15	24	
IL Corrected Directivity (dB) <sup>6</sup>	1.5-40	16	26	
Pass Band Return Loss (dB)	DC-40	20	30	
Pass Band VSWR	DC-40		1.07	1.22
Impedance ( $\Omega$ )			50	

<sup>3</sup> Coupling loss based on average coupling factor – visit our [website](#) to learn more.

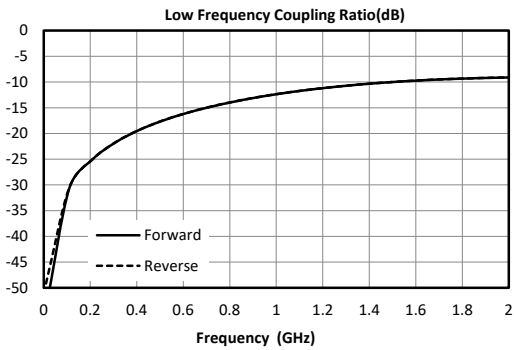
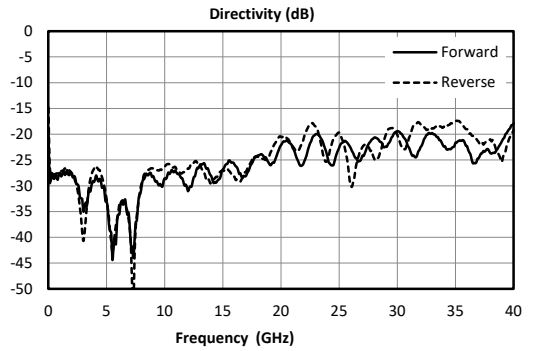
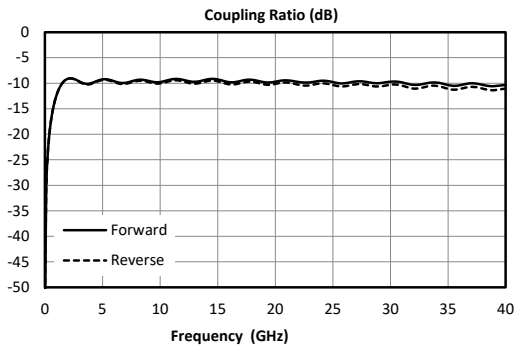
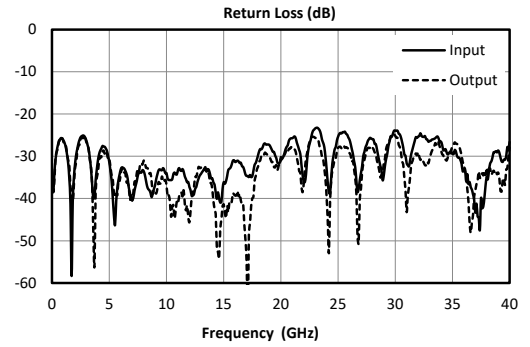
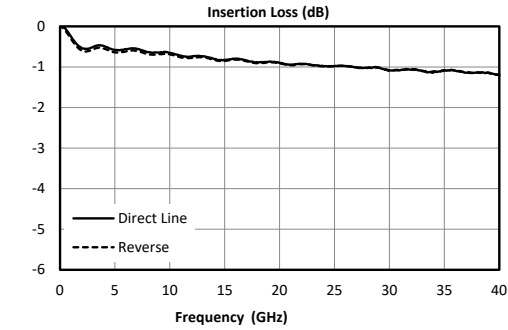
<sup>4</sup> Excess Insertion Loss = (Input Port to Output Port Insertion Loss) – Coupling Loss.

<sup>5</sup> Amplitude Flatness = Median value of ABS(Measured Coupling Power – Average Coupling Factor).

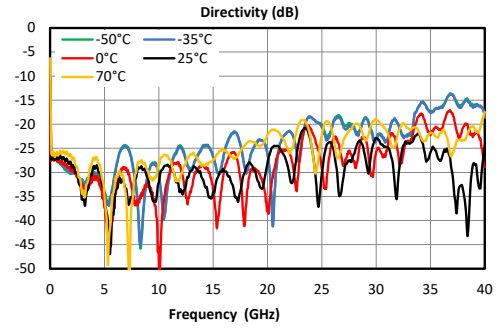
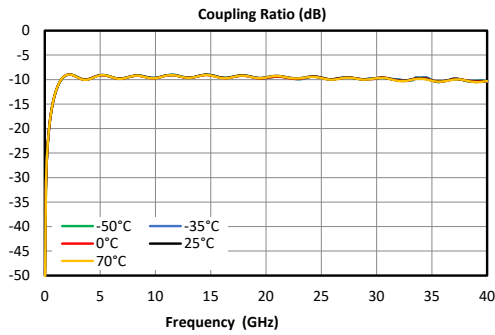
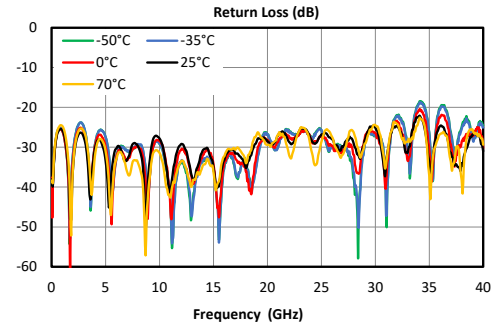
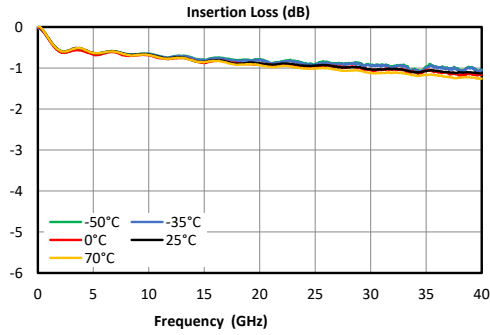
<sup>6</sup> IL Corrected Directivity = Directivity + Insertion Loss.

### 3.4 Typical Performance Plots

#### 3.4.1 Insertion Loss, Return Loss, Coupled Port Power, and Directivity

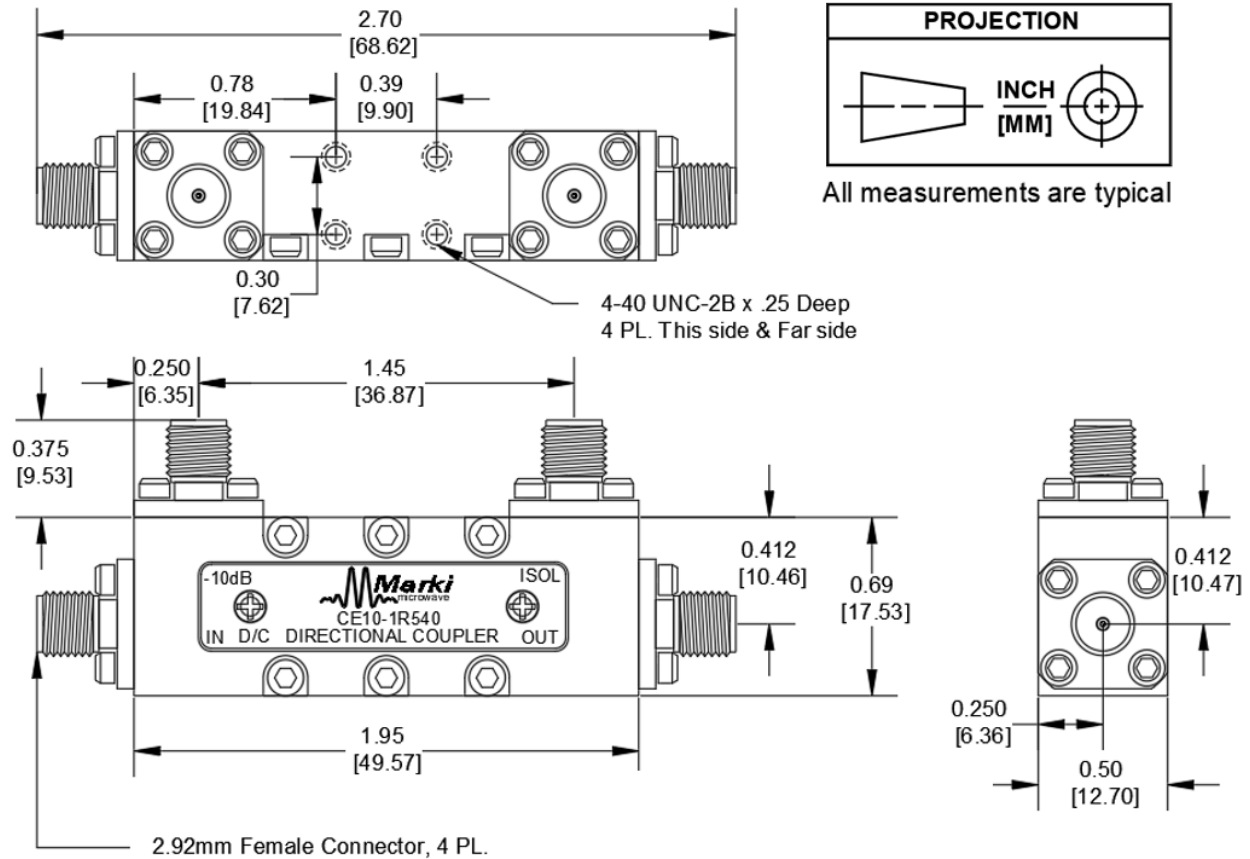


### 3.4.2 Performance Over Temperature



## 4 Mechanical Data

### 4.1 Connectorized Module Outline Drawing



Marki Microwave reserves the right to make changes to the product(s) or information contained herein without notice.

Marki Microwave makes no warranty, representation, or guarantee regarding the suitability of its products for any particular purpose, nor does Marki Microwave assume any liability whatsoever arising out of the use or application of any product.

© Marki Microwave, Inc.

[www.markimicrowave.com](http://www.markimicrowave.com)