

## LEAD-FREE / RoHS-COMPLIANT

### HIGH DIRECTIVITY BRIDGE COUPLER

### CBR17-0026

The CBR17-0026 offers the broadest bandwidth of any standalone bridge coupler on the market. It provides an extremely high degree of measurement accuracy for forward power measurements, and can also be used to measure VSWR/return loss (see Directivity and VSWR Measurement App Note). The flat coupling ratio, high directivity, and broadband performance from 200 kHz to 26 GHz make the CBR17-0026 an excellent 'black box' coupler for everyday lab use.



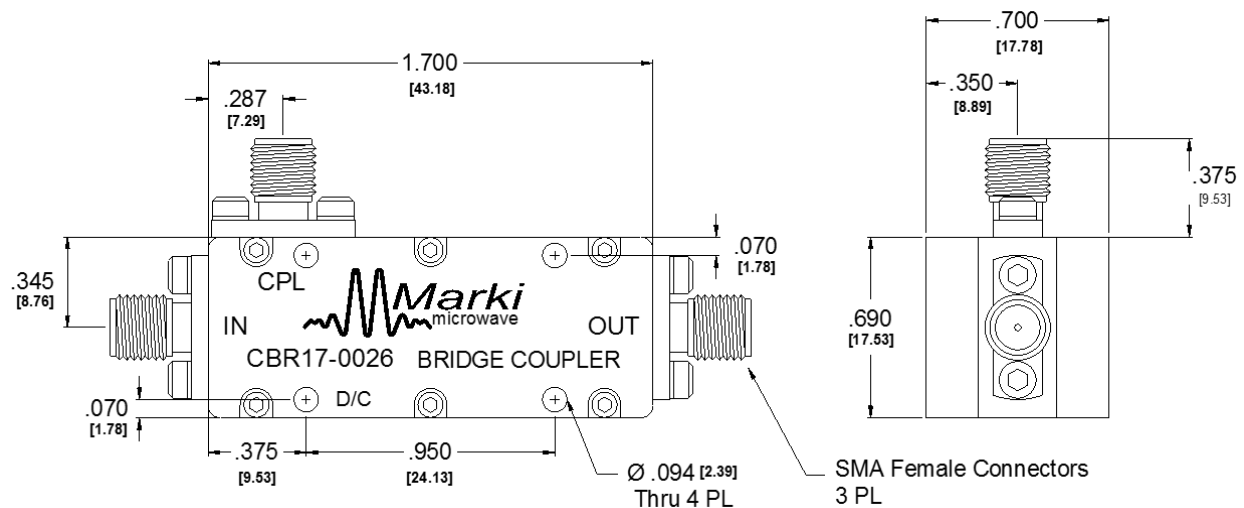
- Broadband Performance
- High Directivity
- Low VSWR
- Compact Size and Lightweight
- [CBR17-0026.s3p](#)

**Electrical Specifications** – Specifications guaranteed from -40 to +85°C, measured in a 50Ω system.

Parameter <sup>12</sup>	Frequency Range	Min	Typ	Max	
Direct Line Insertion Loss (dB)	200 kHz-26 GHz			6	
Coupling (dB)			17		
VSWR			1.22	2	
Directivity (dB)		12	23		
Power (W)					1
Weight (g)				30	

<sup>1</sup>Specifications guaranteed when operated in a 50Ω system.

<sup>2</sup>Storage temperature is -35 to +90°C

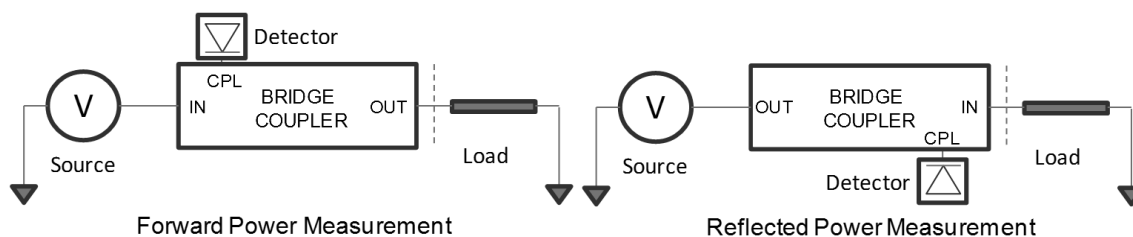


# HIGH DIRECTIVITY BRIDGE COUPLER

**CBR17-0026**

Page 2

## Forward & reflected power measurement using high directivity bridge coupler



### Typical Performance

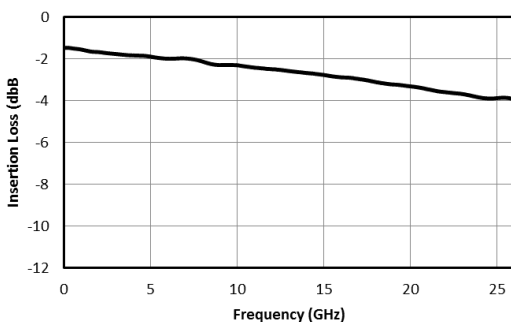


Fig. 1. Direct line insertion loss.

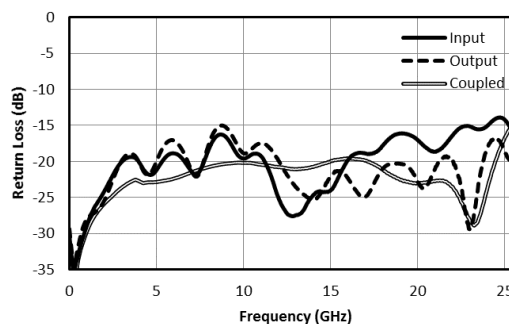


Fig. 2. Return loss.

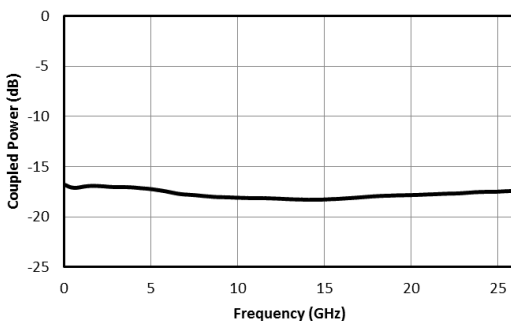


Fig. 3. Coupled port power.

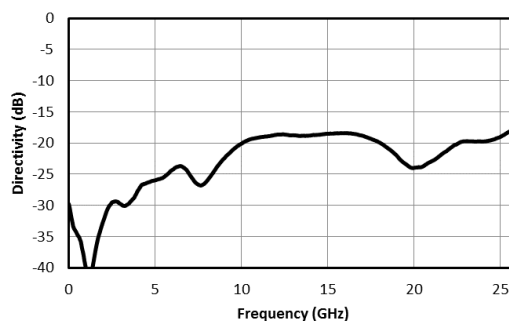


Fig. 4. Directivity.

Model Number	Description
CBR17-0026	200 kHz-26 GHz 17 dB High Directivity Bridge Coupler with SMA connectors <sup>1</sup> , <b>LEAD-FREE/RoHS COMPLIANT</b>

<sup>1</sup>Default is SMA female connectors. Consult factory for other connector options.

Marki Microwave reserves the right to make changes to the product(s) or information contained herein without notice. Marki Microwave makes no warranty, representation or guarantee regarding the suitability of its products for any particular purpose, nor does Marki Microwave assume any liability whatsoever arising out of the use of or application of any product.