

DIRECTIONAL COUPLER

C10-0450

The C10-0450 is a broadband 4-50 GHz, 10 dB directional coupler. The multisection tri-plate stripline design exhibits excellent coupling flatness and VSWR to 50 GHz. Custom designs are also available, contact the factory for details.



Features

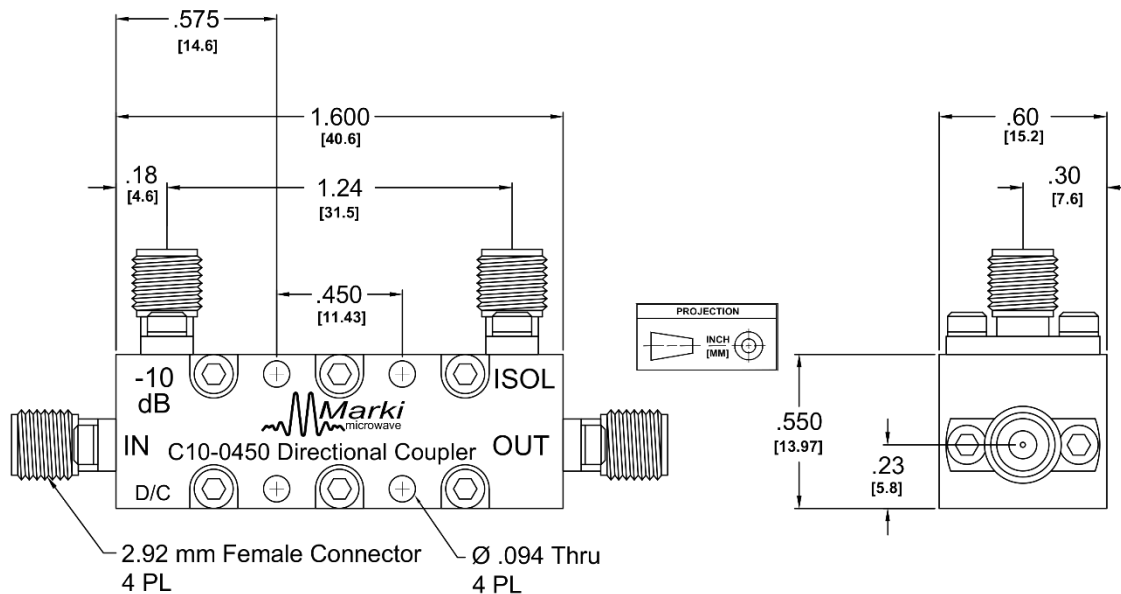
- Broadband Performance
- Excellent Coupling Flatness
- High Directivity
- Low VSWR
- [Microwave Power Dividers & Couplers App Note](#)

Electrical Specifications

Parameter ¹	Frequency Range (GHz)	Min	Typ	Max
Mean Coupling (dB)	4-50		10	
Amplitude Flatness (dB) ²	4-50		±0.5	±1.5
Direct Line Insertion Loss (dB)	4-50			2.5
VSWR	4-40		1.35	1.55
	40-50		1.55	
Directivity (dB)	4-50	9	15	
Weight (g)			35	

¹Specifications guaranteed when operated in a 50Ω system.

²Deviation from average coupling.



Typical Performance

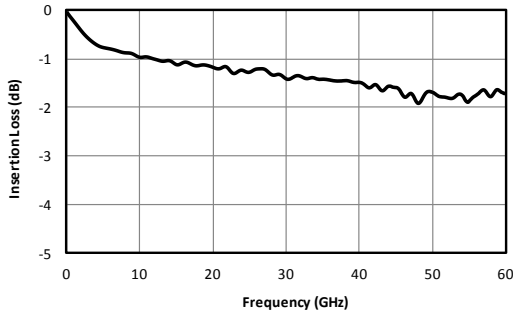


Fig. 1. Direct line insertion loss.

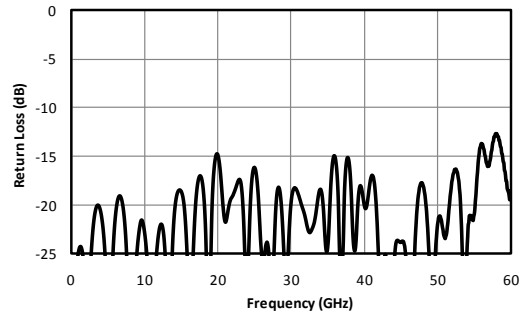


Fig. 2. Typical port return loss.

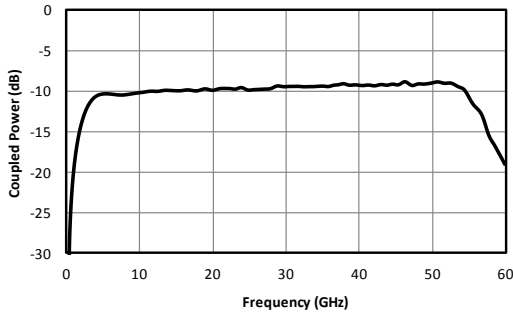


Fig. 3. Coupled port power.

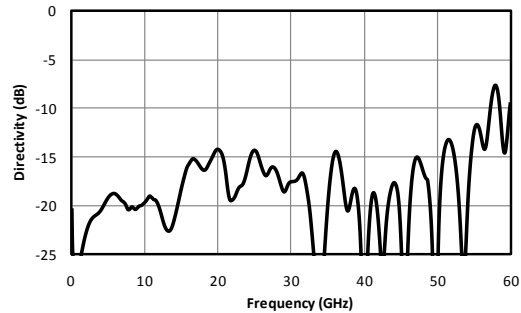


Fig. 4. Typical directivity.

Model Number	Description
C10-0450	4-50 GHz 10 dB Directional Coupler with 2.40 mm connectors ¹

¹Default is 2.4 mm female connectors. Consult factory for other connector options.

Marki Microwave reserves the right to make changes to the product(s) or information contained herein without notice. Marki Microwave makes no warranty, representation or guarantee regarding the suitability of its products for any particular purpose, nor does Marki Microwave assume any liability whatsoever arising out of the use of or application of any product.

© Marki Microwave, Inc.

