

## LEAD-FREE / RoHS-COMPLIANT DIRECTIONAL COUPLER

**C-0265**

### Features

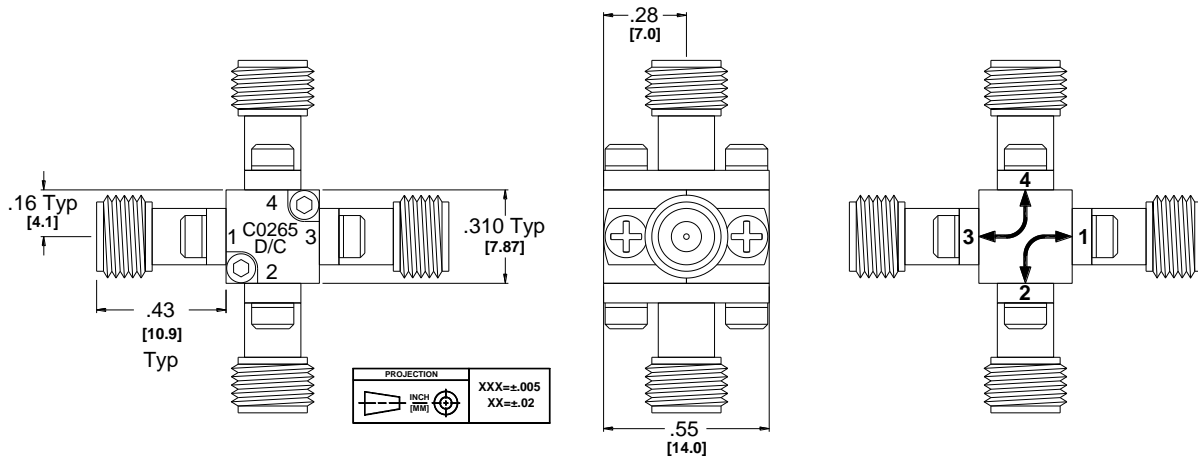
- Low Insertion Loss
- Broadband Performance
- Compact Size and Lightweight
- [Microwave Power Dividers & Couplers App Note](#)



### Electrical Specifications

Parameter <sup>1</sup>	Frequency Range (GHz)	Min	Typ	Max
Direct Line Insertion Loss (dB)	DC to 25		0.3	0.6
	25 to 65		0.7	1.4
Coupling (dB)	65		12	
	2		35	
VSWR	2 to 25		1.25	1.55
	25 to 65		1.65	
Directivity (dB)	2 to 25		15	
	25 to 65		10	
Weight (g)			15	

<sup>1</sup>Specifications guaranteed when operated in a 50Ω system. Consult factory for more information.



Input Port 1

Cpl Port 4

Output Port 2

Isol Port 3

# DIRECTIONAL COUPLER

# C-0265

Page 2

## Typical Performance

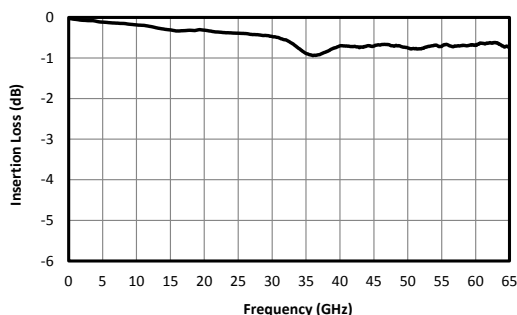


Fig. 1. Direct line insertion loss.

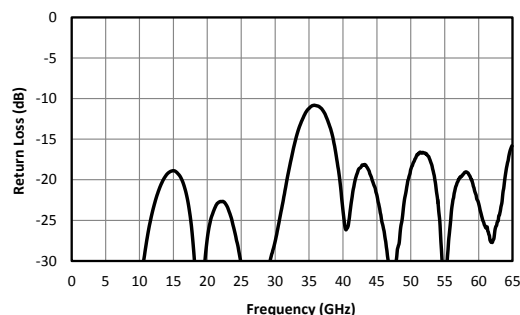


Fig. 2. Typical port return loss.

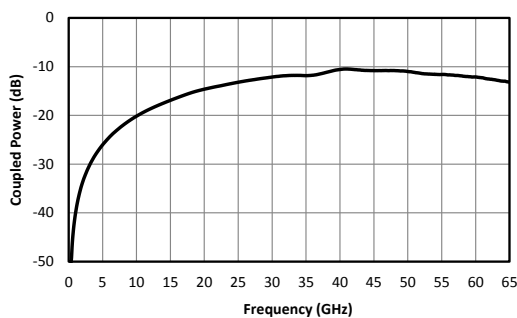


Fig. 3. Coupled port power.

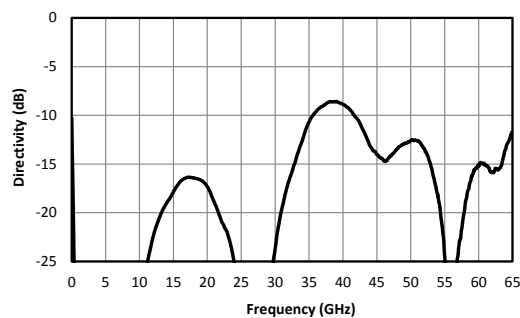


Fig. 4. Typical directivity.

**DIRECTIONAL COUPLER**

**C-0265**

Page 3

Model Number	Description
C-0265	2 – 65 GHz Directional Coupler with 1.85 mm connectors <sup>1</sup> . <b>LEAD-FREE/RoHS COMPLIANT</b>

<sup>1</sup>Default is 1.85 mm female connectors. Consult factory for other connector options.

**Revision History**

Revision code	Revision Date	Comment
H	4/2020	Updated Direct Line IL specs
I	3/2021	Defined Port Definitions

Marki Microwave reserves the right to make changes to the product(s) or information contained herein without notice.

Marki Microwave makes no warranty, representation or guarantee regarding the suitability of its products for any particular purpose, nor does Marki Microwave assume any liability whatsoever arising out of the use of or application of any product.