

## LEAD-FREE / RoHS-COMPLIANT

### HIGH POWER SURFACE-MOUNT BALUN

### BALH-0003SMG

#### Features

- 500 kHz to 3 GHz Balun (Balanced to Unbalanced Transformer)
- High 37 dBm 1-dB compression enables high power applications
- Tuned for Optimal Phase/Amplitude Balance
- Applications: Balanced Amplifiers, Baseband Digital Modulation, Signal Integrity
- [BALH-0003SMG.s3p](#)

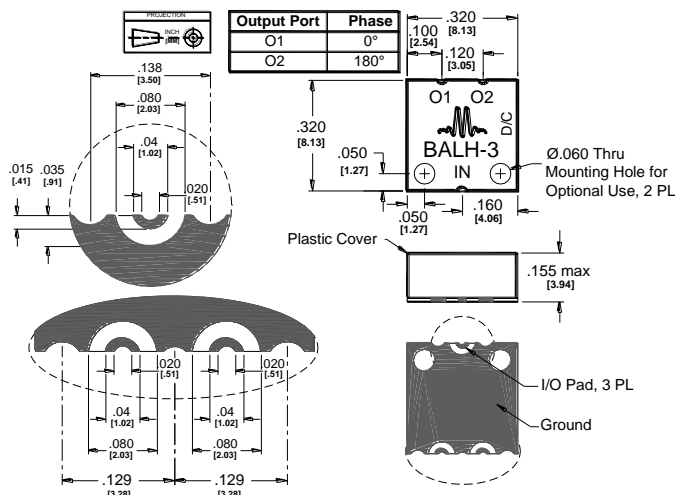


**Electrical Specifications** - Specifications guaranteed from -55 to +100°C, measured in a 50Ω system.

Parameter	Frequency Range	Min	Typ	Max	
Insertion Loss (dB)	500 kHz to 3 GHz		5	6.5	
Input 1 dB Compression (dBm)			37		
Nominal Phase Shift (Degrees)				180	
Amplitude Balance (dB)				±0.2	±0.8
Phase Balance (Degrees)				±2	±8
Common Mode Rejection (dB)			20	35	
Isolation (dB)				7	
VSWR (Input)				1.6	
VSWR (Output)				1.1	
Risetime /Falltime (ps) <sup>1</sup>				22	

<sup>1</sup>Specified as 90%/10%. Calculated from  $\tau_{\text{balun}}^2 = (\tau_{\text{out}}^2 - \tau_{\text{in}}^2)$

Model Number	Description
BALH-0003SMG	500 kHz to 3 GHz Balun, High Power, Surface Mount, <b>LEAD-FREE/RoHS COMPLIANT</b>



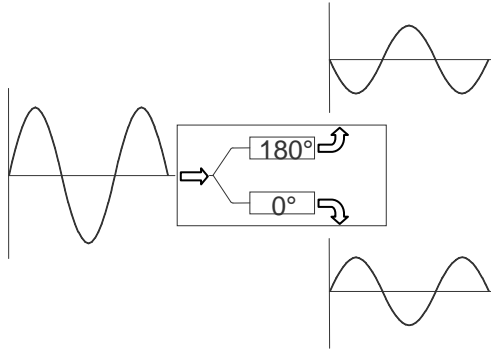
Substrate material is 8-mil thick Rogers 4003, 1 Oz Electrodeposited Cu. I/O Pads & Ground Plane Finish is Gold Flash, 5 to 10 μ-inches, over Electroplated Nickel, 100-200 μ-inches, over Cu. See [BALSMG-PCB](#) for suggested PCB layout.

# HIGH POWER SURFACE-MOUNT BALUN

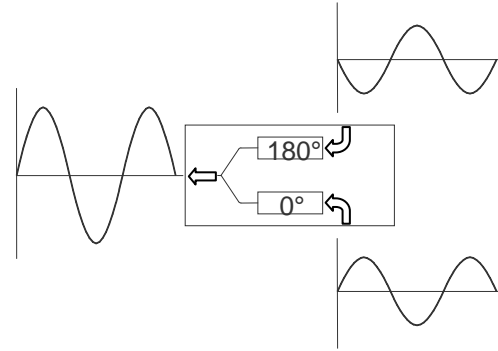
# BALH-0003SMG

Page 2

## Block Diagram



Single ended to differential



Differential to single ended

## Typical Performance

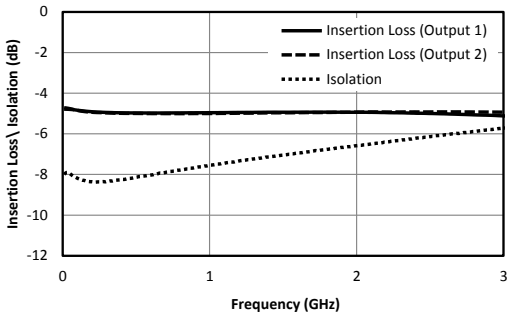


Fig. 1. Common to output port insertion loss and output to output port Isolation.

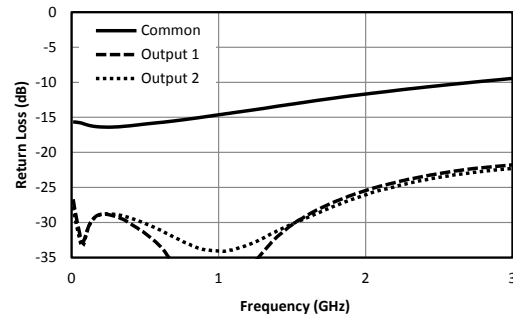


Fig. 2. Return loss for common port and output ports.

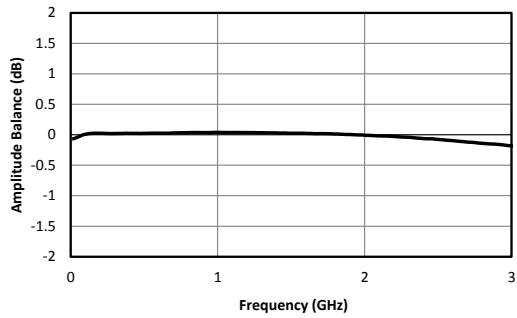


Fig. 3. Amplitude balance between output ports.

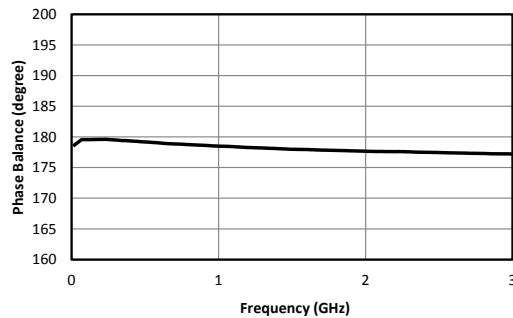


Fig. 4. Phase balance between output ports.

# HIGH POWER SURFACE-MOUNT BALUN

# BALH-0003SMG

Page 3

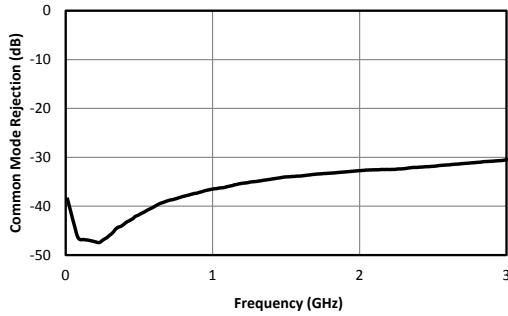


Fig. 5. Common mode rejection.

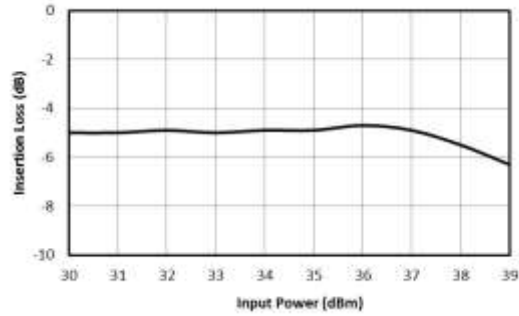


Fig. 6. Output Compression

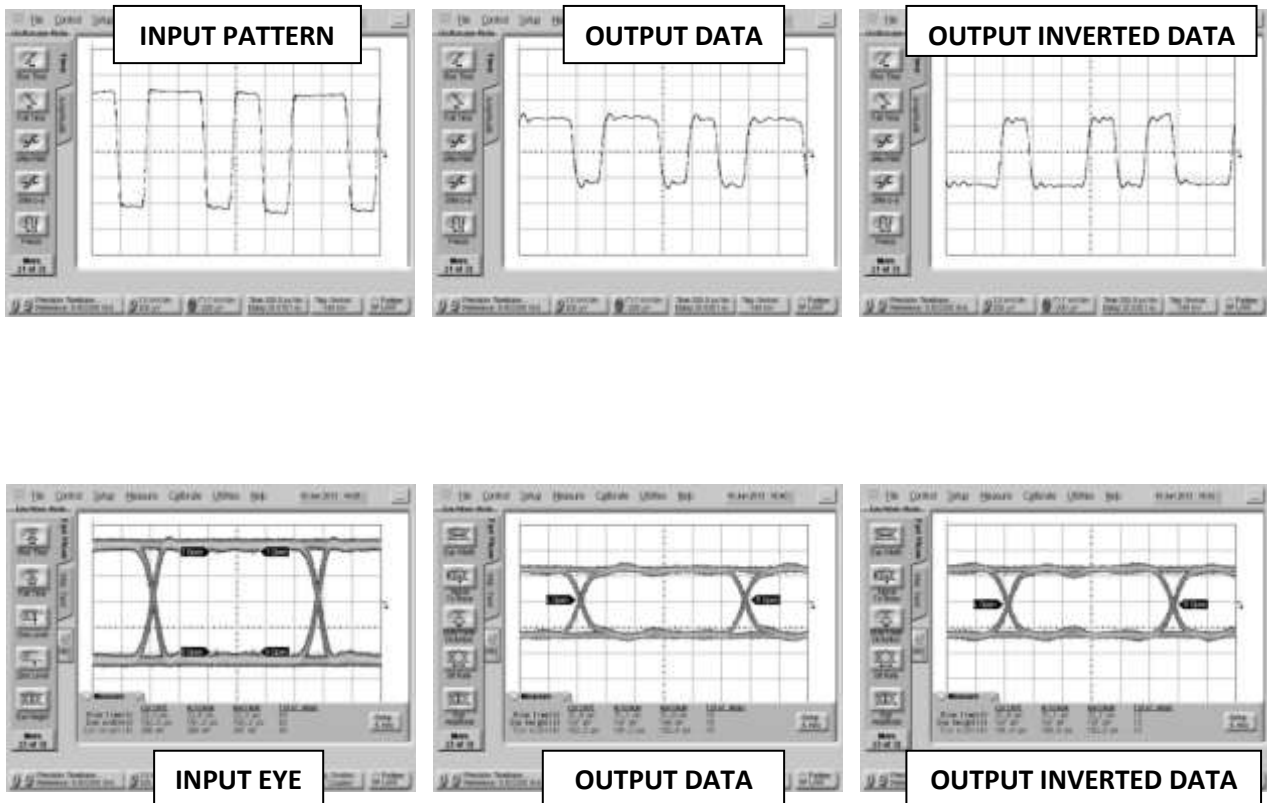


Fig. 6. Oscilloscope measurements of the BALH-0003SMG with a 5 Gb/s PRBS pattern. Bit pattern is measured with a  $2^7-1$  PRBS input demonstrating extremely good pulse fidelity for both inverted and non-inverted output. Eye diagrams are taken with a  $2^{31}-1$  PRBS input demonstrating minimal eye distortion/closure afforded by the extremely low frequency operation of the balun (<500 kHz).

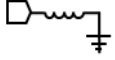
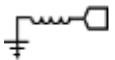
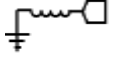


# HIGH POWER SURFACE-MOUNT BALUN

# BALH-0003SMG

Page 4

## DC Interface

Port	Description	DC Interface Schematic
Common Port / In (Unbalanced)	The common port is DC short to ground.	 <p>Common Port (Unbalanced)</p>
Out 1 / 0° Port (Balanced)	The 0° port is DC short to ground.	 <p>0° Port (Balanced)</p>
Out 2 / 180° Port (Balanced)	The 180° port is DC short to ground.	 <p>180° Port (Balanced)</p>

Marki Microwave reserves the right to make changes to the product(s) or information contained herein without notice. Marki Microwave makes no warranty, representation or guarantee regarding the suitability of its products for any particular purpose, nor does Marki Microwave assume any liability whatsoever arising out of the use of or application of any product.

215 Vineyard Court, Morgan Hill, CA 95037 | Ph: 408.778.4200 | Fax 408.778.4300 | info@markimicrowave.com

06/15/15